


FUSE NF-2
FULL LOAD-800 A.
MG-8 & 9

FUSE NF-3
FULL LOAD-800 A.
MG-8 & 9

NOTE - 1 FUSES OPERATING IN AN OPEN UNIT OR VENTILATED PROTECTOR ENCLOSURE.

NOTE - 2 FUSES OPERATING IN A SUBMERSIBLE OR TOTALLY ENCLOSED UNIT.

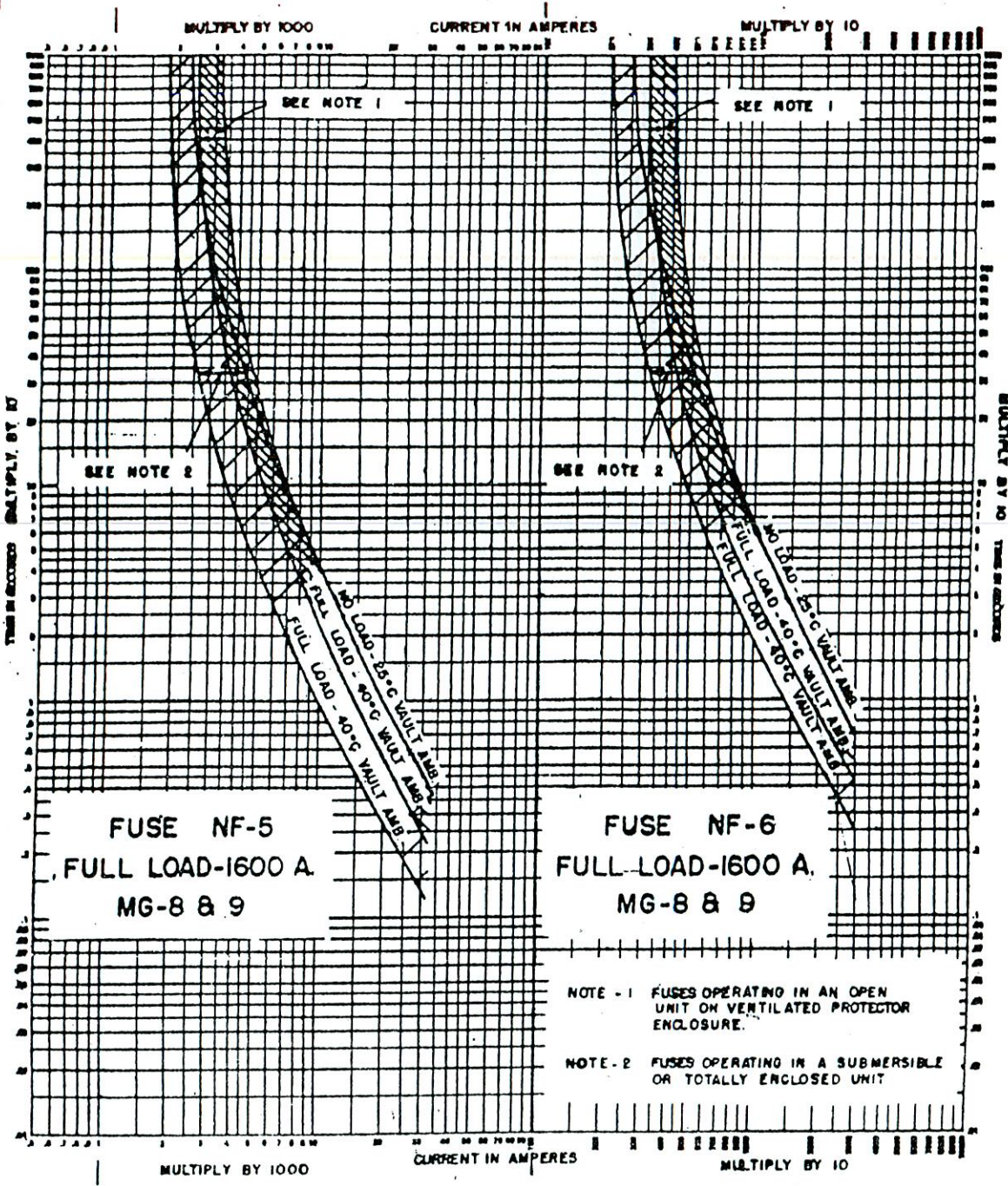
GENERAL  ELECTRIC

ALLOY FUSE

TIME CURRENT CHARACTERISTIC CURVES

LH-6386032

3 11-17-54 J. J.	BY BRYAN DEC 17 1948 ...	APPROVED H. V.	LH-6386032
-----------------------------------	-----------------------------------	------------------------------	------------



FUSE NF-5
FULL LOAD-1600 A.
MG-8 & 9

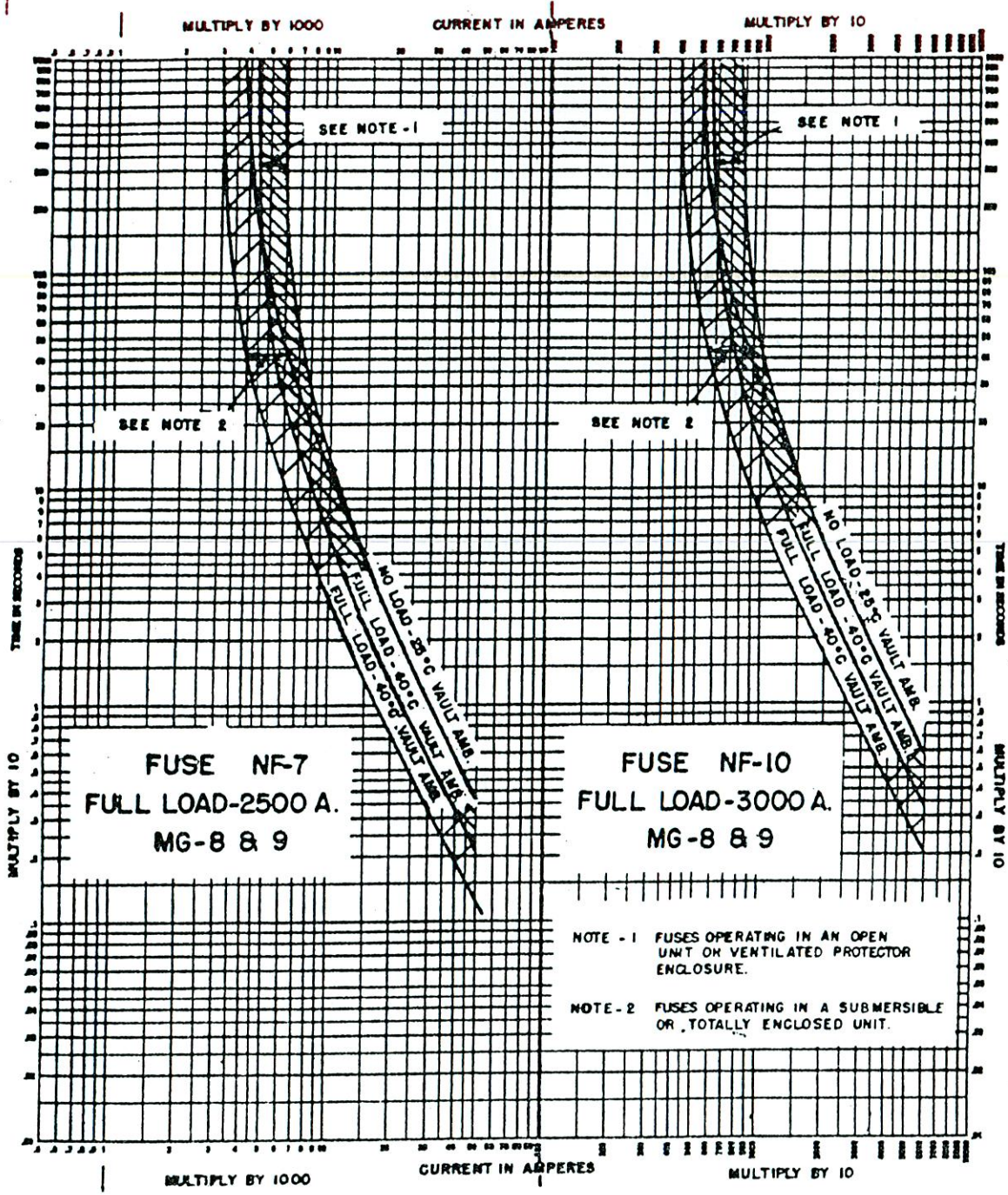
FUSE NF-6
FULL-LOAD-1600 A.
MG-8 & 9

NOTE - 1 FUSES OPERATING IN AN OPEN UNIT OR VENTILATED PROTECTOR ENCLOSURE.
NOTE - 2 FUSES OPERATING IN A SUBMERSIBLE OR TOTALLY ENCLOSED UNIT

GENERAL ELECTRIC	ALLOY FUSE	
	TIME CURRENT CHARACTERISTIC CURVES	

LH-6386030

2. <i>W. Bryan DeWitt</i> 11-57 Dec 18, 1959	W. BRYAN DEWITT Dec 18, 1959	L. V. SMGR. PHILA.	LH-6386030
--	---------------------------------	-----------------------	------------



FUSE NF-7
FULL LOAD-2500 A.
MG-8 & 9

FUSE NF-10
FULL LOAD-3000 A.
MG-8 & 9

NOTE - 1 FUSES OPERATING IN AN OPEN UNIT OR VENTILATED PROTECTOR ENCLOSURE.

NOTE - 2 FUSES OPERATING IN A SUBMERSIBLE OR TOTALLY ENCLOSED UNIT.

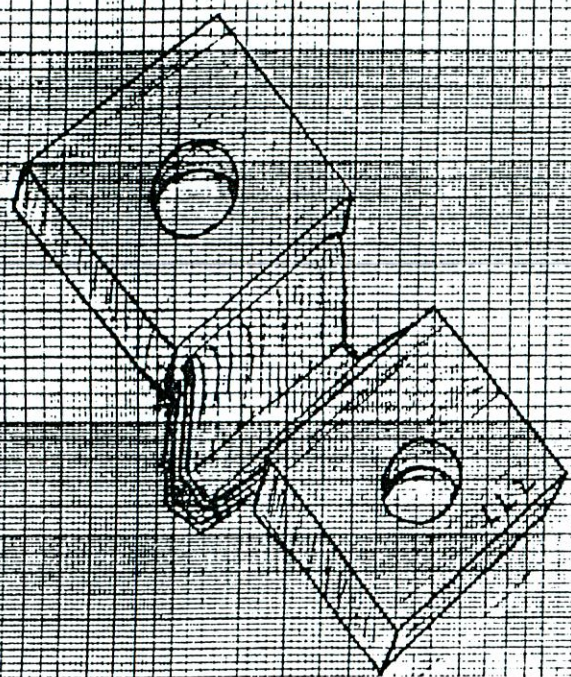
GENERAL ELECTRIC **ALLOY FUSE**
TIME CURRENT CHARACTERISTIC CURVES

109HL681

MADE BY <i>L. V. Swager</i> PHILA	APPROVED OCT 21 1957 Dec 17, 1957	L. V. SWAGER PHILA	109HL681
---	---	-----------------------	----------

CURRENT IN AMPERES $\times 10$

TIME CURRENT CURVE
FOR LOW LOSS TYPE
COPPER FUSE FOR
125/216V, ONLY.



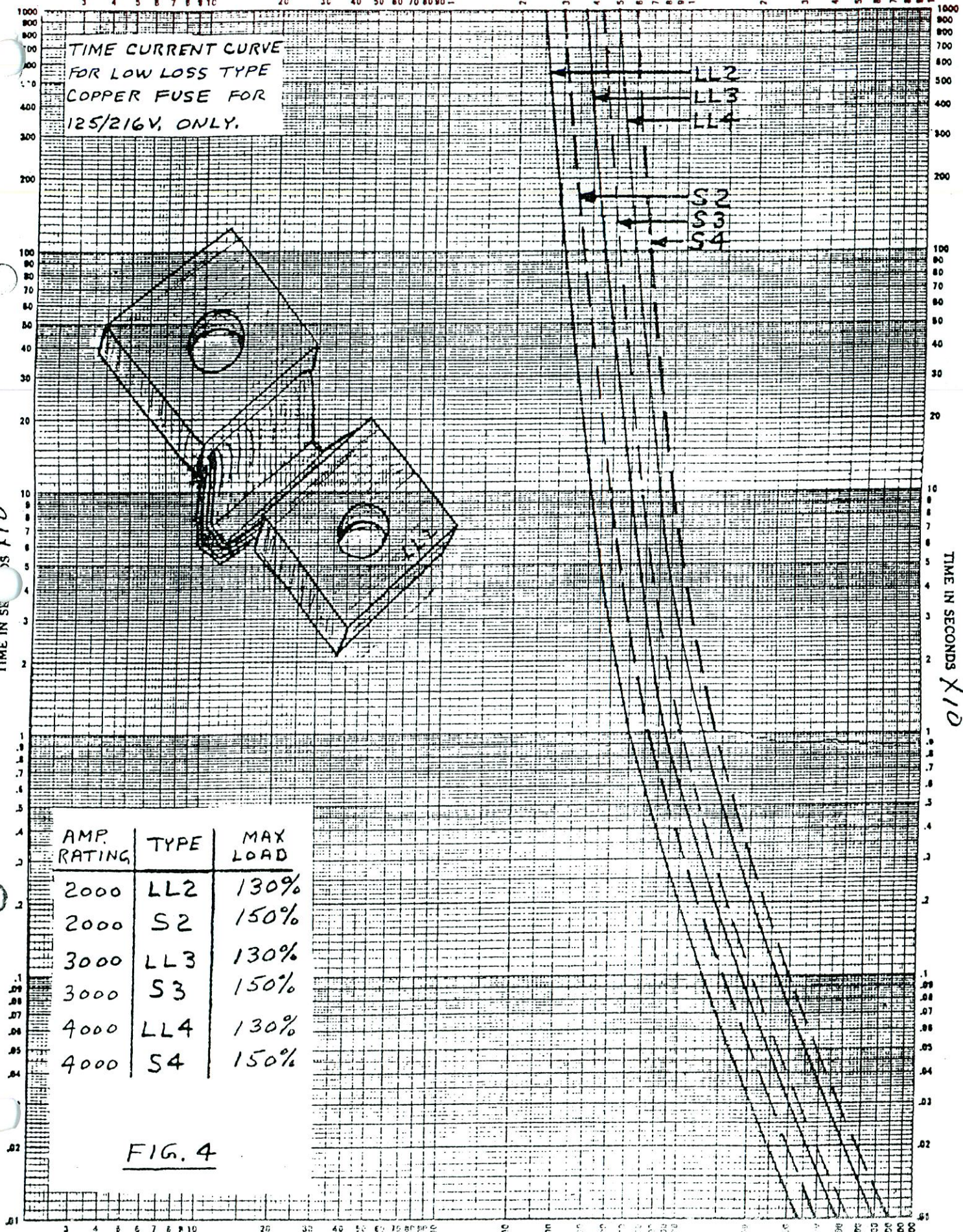
TIME IN SECS $\times 10$

TIME IN SECONDS $\times 10$

AMP. RATING	TYPE	MAX LOAD
2000	LL2	130%
2000	S2	150%
3000	LL3	130%
3000	S3	150%
4000	LL4	130%
4000	S4	150%

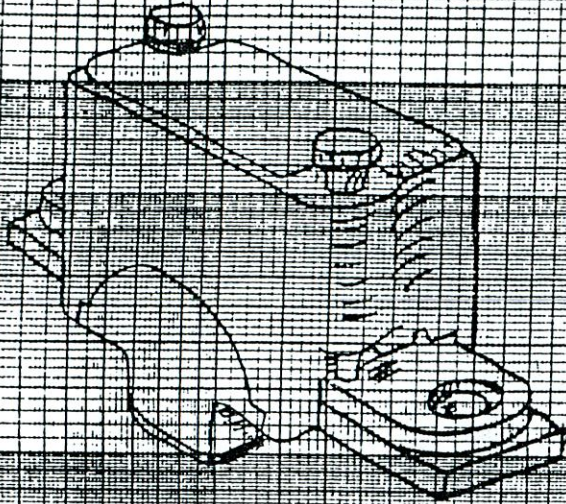
FIG. 4

CURRENT IN AMPERES $\times 10$



CURRENT IN AMPERES X 10

TIME-CURRENT
CURVES FOR
ENCLOSED COPPER
FUSES.



YorZ-7.5
YorZ-11
YorZ-15
YorZ-22.5
YorZ-25
Z-30
Z-37.5
Z-44
Z-50

FUSE TYPE	FOR USE ON TRAN. WITH FULL LOAD AMPS. OF
YorZ-7.5	400
YorZ-11	600
YorZ-15	800
YorZ-22.5	1200
YorZ-25	1340
Z-30	1600
Z-37.5	2000
Z-44	2400
Z-50	3000

FIG. 1

TIME IN SECONDS X 10

TIME IN SECONDS X 10

CURRENT IN AMPERES X 10